



Dive Center Essentials



AQUALUNG RENTAL SETS



Aqualung Wave BCD - ResisteK

The Aqualung Wave BCD is a rugged, durable buoyancy control device, perfect for beginners. It features adjustable straps, three Octo and Instrument pockets, and is a comfortable fit, ideal for rental and recreational use. It is made with **ResisteK** material which resists fading and abrasion in both salt and chlorinated water.

Aqualung Calypso Regulator

This fifth-generation Calypso has new innovative features resulting in a more comfortable, lighter-weight and easier-breathing regulator, it is also compact, easy to service and is robust making it perfect for Dive Center rental use.



Aqualung Calypso Octopus



PSI Mini 2K Console

PSI Slimline Console

The PSI Mini 2K (compact) or Slimline Gauges are an affordable and durable pressure gauge offering precise readings up to 400bar, with a clear and luminous easy-to-read display. An ideal instrument for dive operators.

Aqualung offers a Reliable, Robust, and Comfortable dive center school set, specially built for your rental lockers. Wetsuits and Gear Bags can be customized with your own logo.

TANKS & VALVES

WEIGHT BELT & BUCKLE



AL-SAFE Cylinder

Seamless 6061-T6 high strength aluminum made to DOT-3AL or ISO7866 certified standards



PSI K Valve

Made in Italy and compatible with Thermo parts, DIN/INT both come with safety burst disk



PSI Valve Pro



PSI Lead Weight 1.0 KG

Lead weights in 1kg size for threading onto weight belt



PSI Weightbelt +Buckle

Weight belt with metal buckle 3 slots, 1.4 or 1.8 meters Blue / Black

RENTAL GEAR



Affordable wetsuit 3mm made from DuraFlex Neoprene. It offers more comfort and a longer lasting in Rental environment.

PSI Colby Jumpsuit 3mm **PSI Colby Shorty 3mm**



PSI Adventure II Mask

A two-window affordable mask with tempered glass lenses and a silicone skirt for comfort.



PSI Vera Mask

Single-lens frameless mask with an ultra-clear HD lens, Extra soft silicone skirt for comfort, and a secure fit.



PSI Adventure II Snorkel

Silicone snorkel with dry top, purge valve, and flexible joint.



PSI Logbook

Keep your divers organized and promote your brand with our custom-printed log books.



Aqualung Storm Fins

Durable, strong and exceptionally lightweight. Only 5 sizes cover XXS through to XXL.



Aqualung Wind Fins

Durable, lightweight and affordable full foot fins, perfect for warm water diving.



PSI Runner Fins



Aqualung i100

The perfect dive computer for the new diver. With simple one-button navigation



Aqualung i330R

Aqualung's Award-winning i330R dive computer and its vibrant colour display. Rechargeable with 30 hours of diving.



PSI Gear Bag

Affordable and Durable 90L bag with reinforced bottom and edges, U-shaped zipper, and transparent side pocket for identification.



PSI Gear Bag - Mesh version

COMPRESSOR NARDI



Nardi Pacific P

PACIFIC P SERIES by NARDI Compressor

The Pacific P series are a range of compressors which offers fill rates from 160LPM up to 350LPM. They are highly efficient and are very robust. They come with a 3-phase electric motor.

Also available with optional automatic condensate drain & final pressure cut off switch, larger filter tower & cartridge.



Nardi Atlantic 100L

ATLANTIC SERIES 100L/min by NARDI Compressor

Reliable, durable, and versatile, the Atlantic compressor has a fill rate of 100 l/min.



MOLECULAR SIEVE

13X Molecular Sieve is known for its potential to adsorb a wide range of impurities, such as carbon dioxide and hydrogen sulfide, making it ideal for environments with excessive contamination dangers.



ACTIVATED CARBON

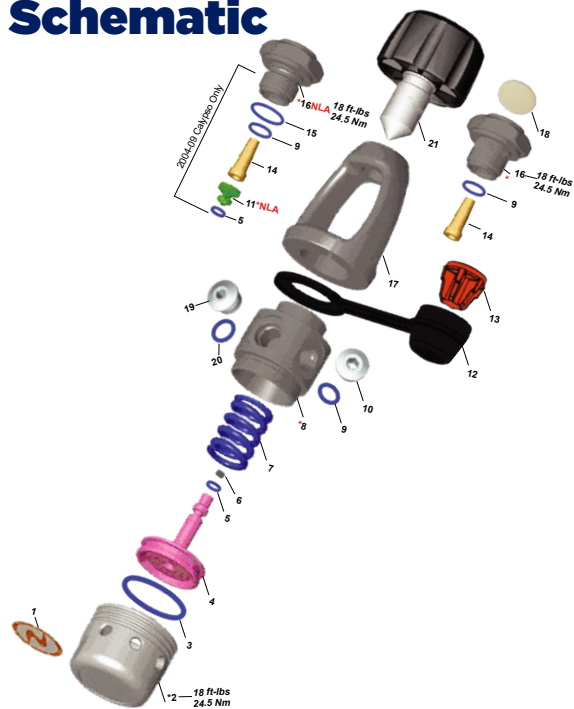
An activated carbon (e.g., charcoal) filter removes aerosolized oils and hydrocarbons from the air stream to improve taste and smell.



SYNTHETIC OIL

Shell Corena S4 P 100 is an Advanced Synthetic ISO VG 100 grade Reciprocating (Piston) Air Compressor Oil.

CALYPSO 1st Stage Schematic

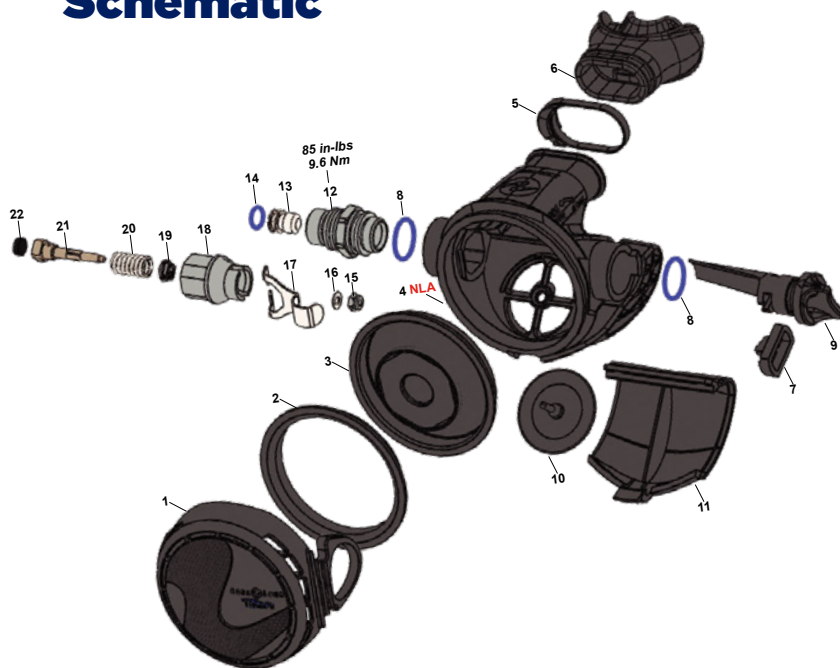


KEY#	PART#	DESCRIPTION
------	-------	-------------

1	RG911821	Decal, Aqua Lung Logo, Orange
	RG911480	Decal, Aqua Lung Logo
2	RG911889	Piston cap, Chrome w/Logo, 2017
3	RG911463	O-ring (20 pk)
4	RG911832	Piston
5	RG911845	O-ring (20 pk)
6	RG911324	HP Seat
7	RG911325	Spring
8	RG911822	Body, Calypso, Chrome
9	RG911842	O-ring (20 pk)
10	RG911380	Plug, MP Port, 3/8 inch
11	NLA	Crown Orifice (only used on pre-2010 model)
12	RG911876	Yoke Washer/Dust Cap, 2017
13	RG911877	Insert, Yoke Dust Cap, 2017
14	RG911650	Filter
15	RG911844	O-ring (20 pk)
16	RG911882	Yoke Retainer, 2017 Calypso
17	RG911440	Yoke, Satin
	RG911441	Yoke, Bright Chrome
18	RG912040	Pre Filter, 2017
	RA121117	Pre Filter, (20pk)
19	RG911381	Plug, HP Port, 7/16 inch
20	RG911462	O-ring (20 pk)
21	RG911620	Yoke Screw

Part numbers in **BOLD ITALICS** are included in the service kit

CALYPSO 2nd Stage Schematic



KEY#	PART#	DESCRIPTION
------	-------	-------------

1	RG911887	Front Cover, Titan, 2017
	RG911890	Front Cover, Calypso 2017
	RG911886	Front Cover, Octo, 2017, Yellow
2	RG912173	Diaphragm Washer
3	RG911475	Diaphragm
4	NLA	Case, Black
5	RG911254	Mouthpiece Clamp
6	RG911251	Mouthpiece, Comfobite
	RG911253	Mouthpiece, Octopus
7	RG911477	Retaining Clip, Venturi Switch
8	RG911844	O-ring (20 pk)
9	RG911879	Venturi Switch, 2017
10	RG912196	Exhaust Valve

KEY#	PART#	DESCRIPTION
------	-------	-------------

11	RG911880	Exhaust Valve Cover, 2017, Black
	RG911474	Exhaust Valve Cover, Grey
12	RG911418	Inlet Fitting
13	RG911404	Crown
14	RG911848	O-ring (20 pk)
15	RG911782	Locknut
16	RG912176	Washer
17	RG912181	Lever
18	RG911478	Valve Insert
19	RG912207	Poppet bearing
20	RG911492	Spring
21	RG912174	Poppet

Part numbers in **BOLD ITALICS** indicate standard overhaul replacement part

Powerline Inflator Schematic

KEY#	PART#	DESCRIPTION
------	-------	-------------

1	BC911447	Collar
2	BC911159	Elbow
3	BC911481	Clip, Nut & Screw, Charcoal
4	BC911359	Poppet, Dump Valve
5	BC911232	Poppet Stem
6	BC911441	Spring
7	BC911160	Poppet Guide
8	BC911480	Cable Hook
9	BC911163	Molded Hose
10	BC911261	Cable
11	BC911164	Hose Clip
12	BC911350	Clamp
13	BC911477	QD Fitting Cover
14	BC911186	Oral Valve Poppet
15	BC911500	O-ring (10pk)
16	BC911368	Cable Pin
17	BC911354	Bezel
18	BC911158	Button Cover, Gray
19	BC911355	Button
20	BC911190	Push Rod Housing
21	BC911372	O-ring (10pk)
22	BC911189	Push Rod

KEY#	PART#	DESCRIPTION
------	-------	-------------

23	BC911382	Filter Screen
24	BC911273	Quick Disconnect Plug w/ O-ring
25	RG911842	O-ring (20pk)
26	BC911178	Filter
27	RG912517	O-ring (20pk)
28	BC911353	Valve Retainer
29	BC911348	Valve Core
30	BC911263	O-ring (10pk)
31	NLA	Mouthpiece
32	BC911442	Body, Charcoal
33	NLA	Spring
34	BC911185	Gasket
35	BC911196	Oral Button w/Plug
36	BC911376	Gasket (not provided in service kit)

